

EDCON-COMPONENTS



Technical Discription

Temperature Range: ABS= -40°C ~ +85°C

PC= -40°C ~ +120°C

Protection Degree IP66-67

Screw Type Enclosure

EDCON Terminal Boxes are some type has knock outs of 21mm on both surfaces and others have holes.

The latter type is ready to use without additional processing.

This Box has two Holes. Diameter Hole one 18mm Hole two 21mm.

This Box has 6Pos Terminal Block.



**Terminal Box Waterproof
55x91x43mm**

Part No.: **H19011**

Customer:

| | | | | | | | | | |
|-------|--------|------|--------|--------|--------|-----------|-----------|------|------------|
| DRW: | Jason | CHKD | Wilson | MATL: | Wilson | TOLERANCE | Mason | DATE | 12.02.2010 |
| APPD: | Schumi | | | FINISH | Jamy | | Sheet No. | | 1 from 4 |

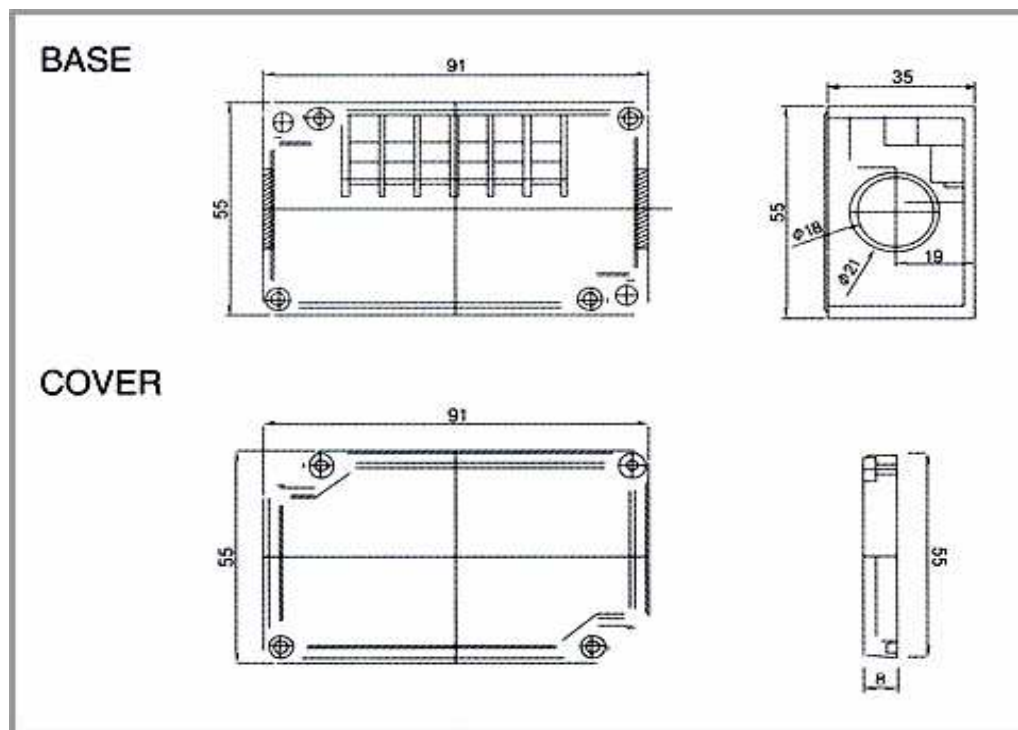
www.edcon-components.com

email: info@edcon-components.com

EDCON-COMPONENTS



Technical Drawing



**Terminal Box Waterproof
55x91x43mm**

Part No.: **H19011**

| | | | | | | | | | |
|-------|--------|------|--------|--------|--------|-----------|-----------|----------|------------|
| DRW: | Jason | CHKD | Wilson | MATL: | Wilson | TOLERANCE | Mason | DATE | 12.02.2010 |
| APPD: | Schumi | | | FINISH | Jamy | | Sheet No. | 2 from 4 | |

Customer:

www.edcon-components.com

email: info@edcon-components.com

EDCON-COMPONENTS



Ordering Informations

| | | | | | | | | | | |
|-------|---------------|------|---------|--|--|--|--|--|--|--|
| Serie | Material Base | ROHS | Packing | | | | | | | |
|-------|---------------|------|---------|--|--|--|--|--|--|--|

| | | | | | | | | | | |
|---------------|-----------|----------|----------|--|--|--|--|--|--|--|
| H19011 | AB | R | S | | | | | | | |
|---------------|-----------|----------|----------|--|--|--|--|--|--|--|

| | | |
|----------------------------|----------------------------|------------------------------|
| AB= ABS (Blue-Gray) | R= ROHS Conform | S= Standard Packing |
| AG= ABS (Gray) | N= NON ROHS Conform | I= Individual Packing |
| PB= PC Beige | | |

**Terminal Box Waterproof
55x91x43mm**

Part No.: **H19011**

| | | | | | | | | | |
|-------|--------|------|--------|--------|--------|-----------|-----------|------|------------|
| DRW: | Jason | CHKD | Wilson | MATL: | Wilson | TOLERANCE | Mason | DATE | 12.02.2010 |
| APPD: | Schumi | | | FINISH | Jamy | | Sheet No. | | 4 from 4 |

Customer: